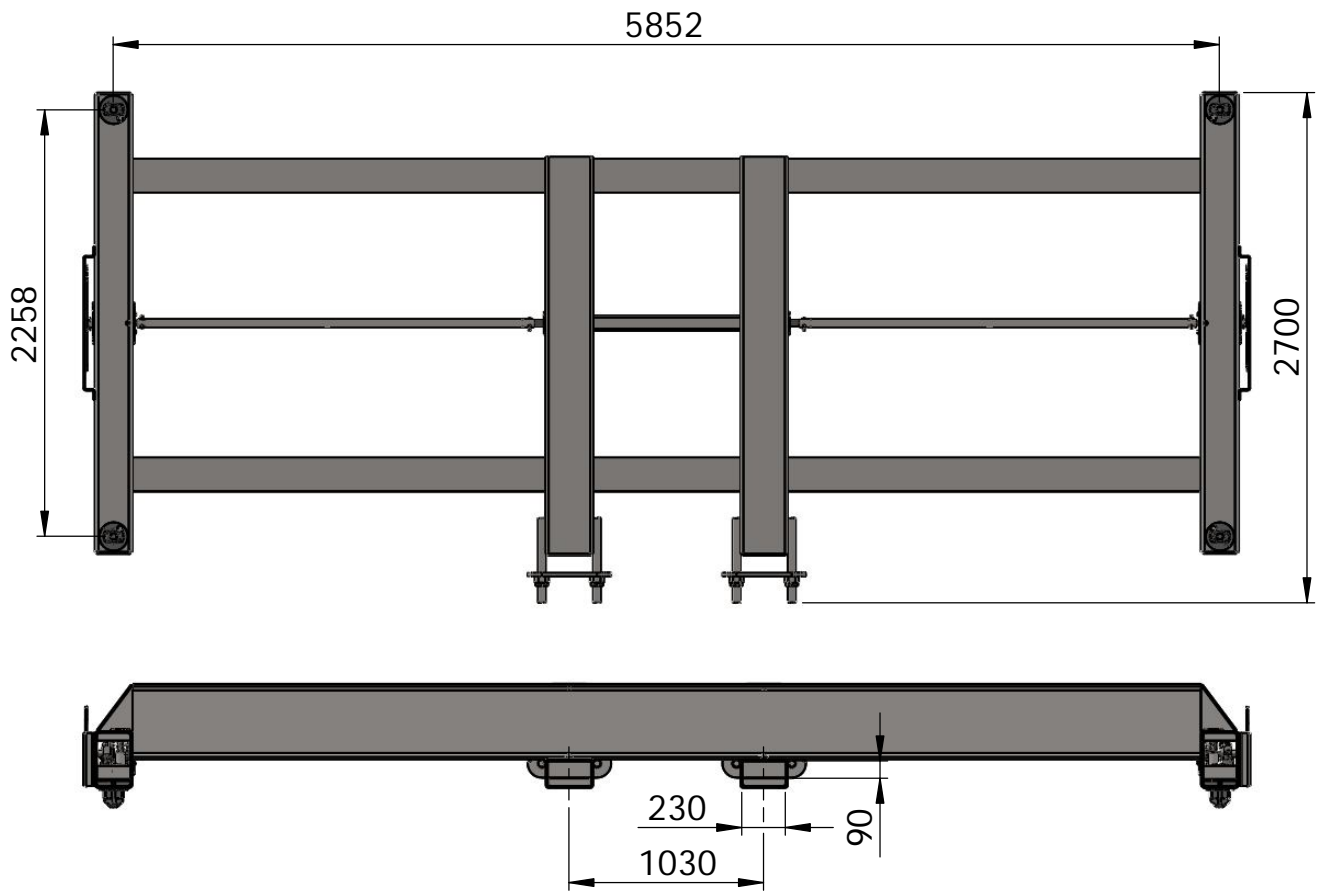
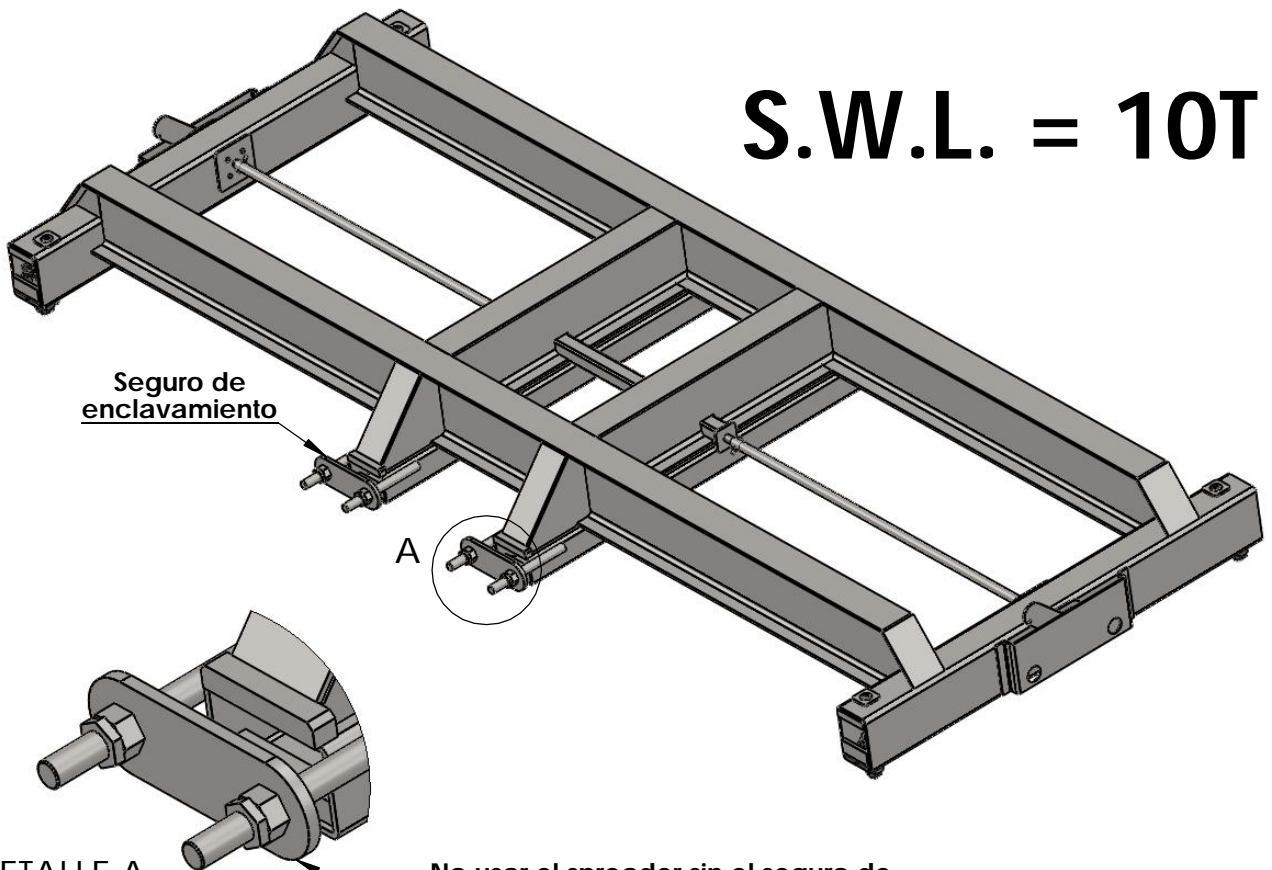


THIS DRAWING IS VALID ONLY FOR COMERCIAL PURPOSES

This document must not be copied without our written permission and the contents thereof must not be imparted to a third party nor be used for any unauthorized purpose. Contravention will be prosecuted



S.W.L. = 10T

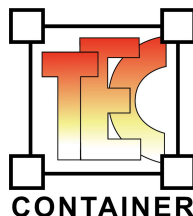


DETALLE A
ESCALA 1 : 10

No usar el spreader sin el seguro de enclavamiento correctamente ajustado.

TEC CONTAINER S.A.

Tel: + 34 91 302 16 38
Fax: + 34 91 766 42 79
tecontainer@tecontainer.com
<http://www.tecontainer.com>



**SPREADER MANUAL
USO CON CARRETILLA**

BA-012G(20'-10)M