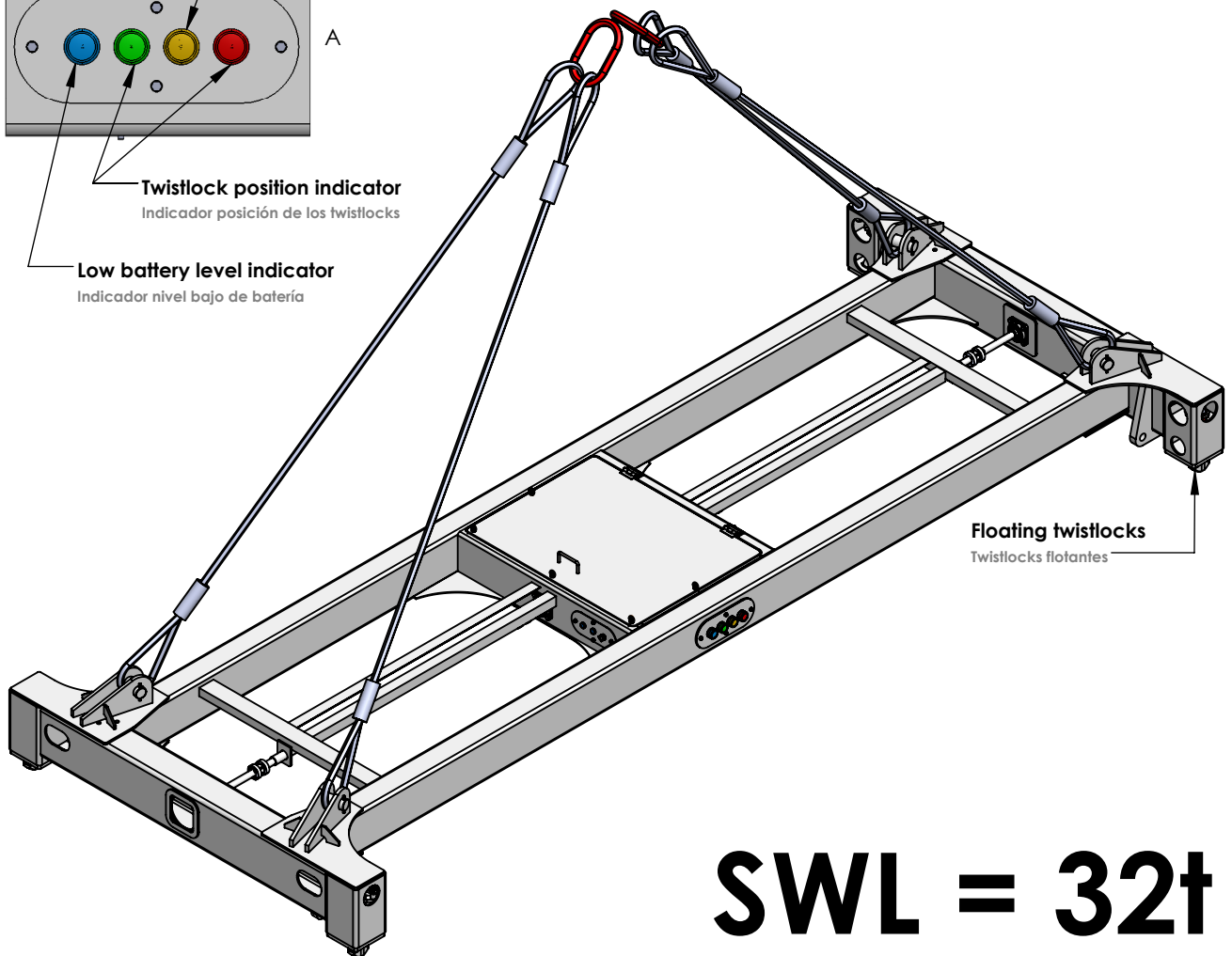
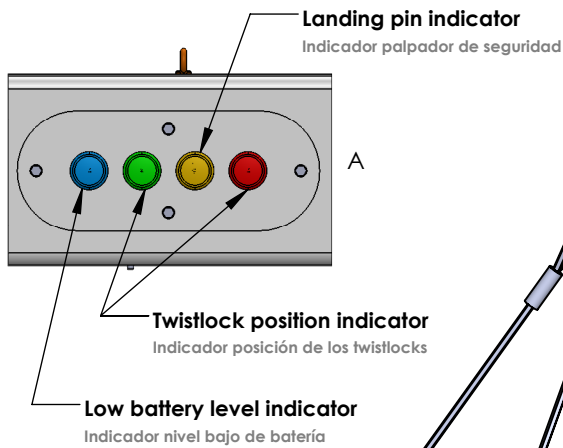
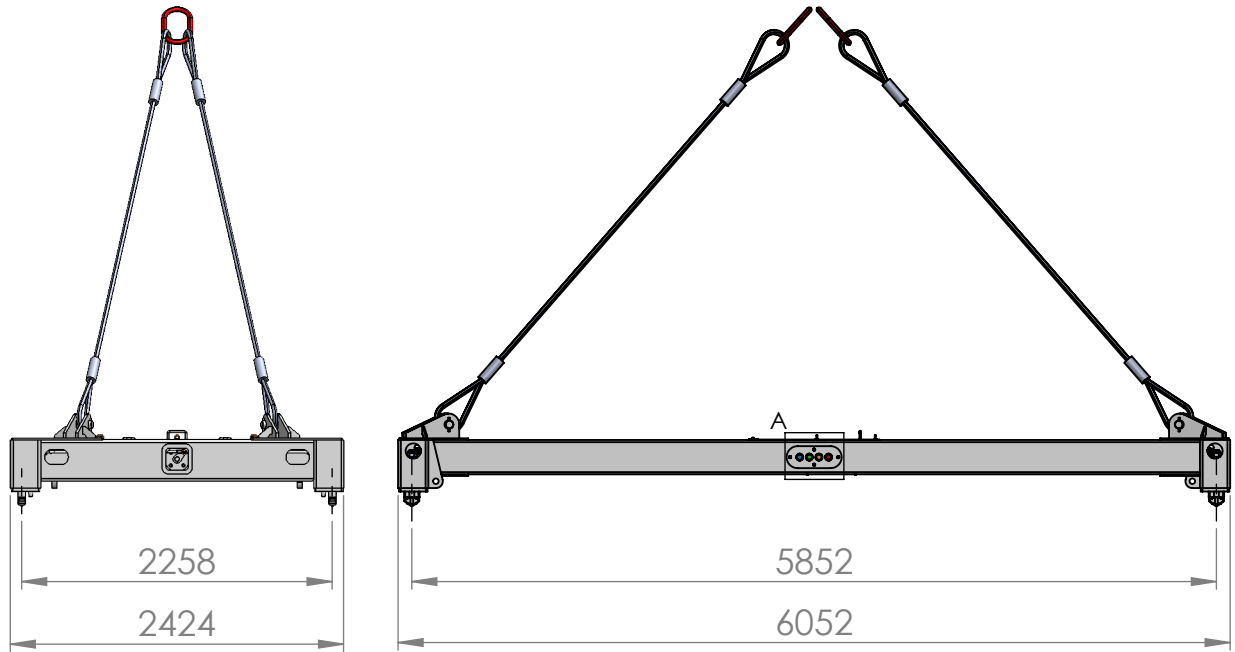


THIS DRAWING IS VALID ONLY FOR COMERCIAL PURPOSES

This document must not be copied without our written permission and the contents thereof must not be imparted to a third party nor be used for any unauthorized purpose. Contravention will be prosecuted



# SWL = 32t

**TEC CONTAINER S.A.**

Tel: + 34 91 302 16 38  
Fax: + 34 91 766 42 79  
teccontainer@teccontainer.com  
<http://www.teccontainer.com>



**ELECTRIC SPREADER**  
SPREADER ELÉCTRICO

**BA-350(20-32)E FX 10**